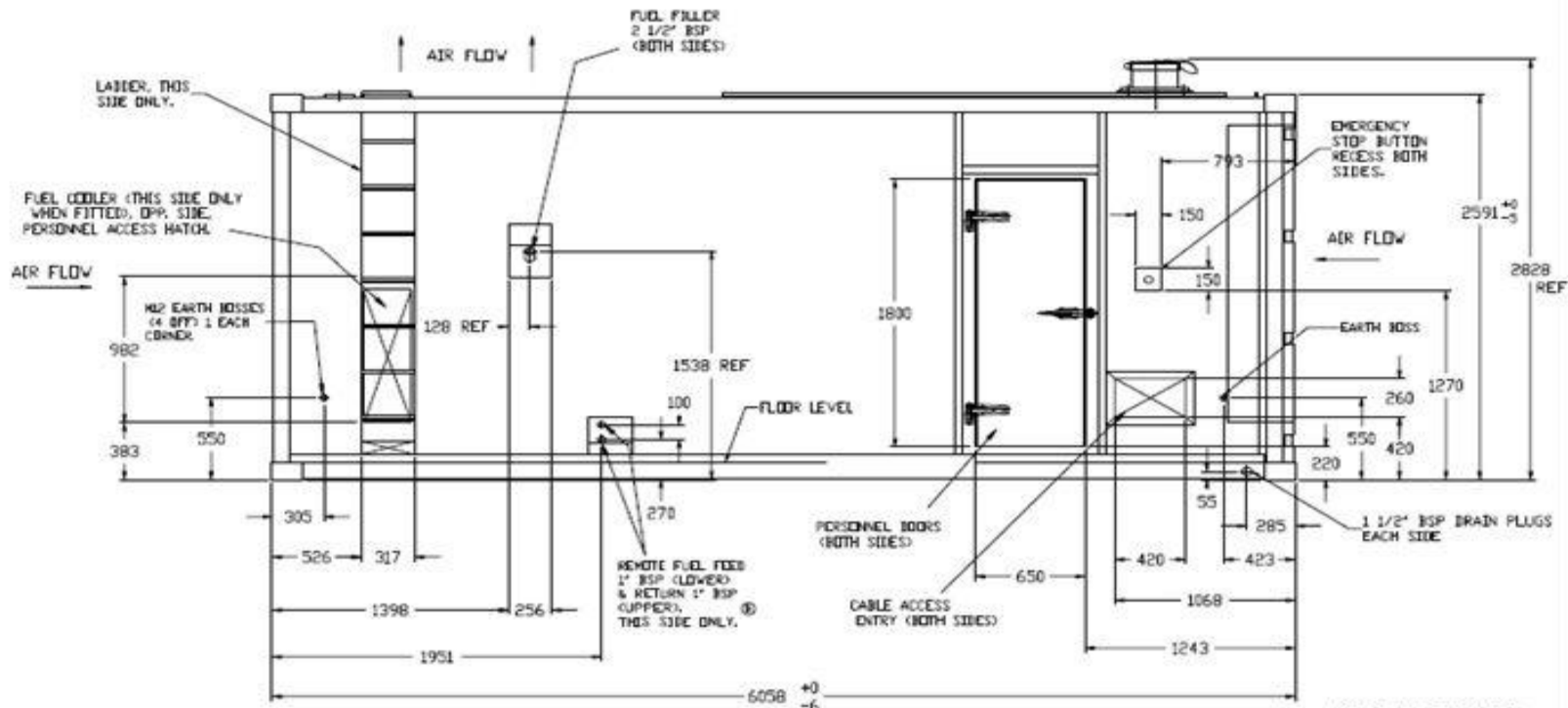


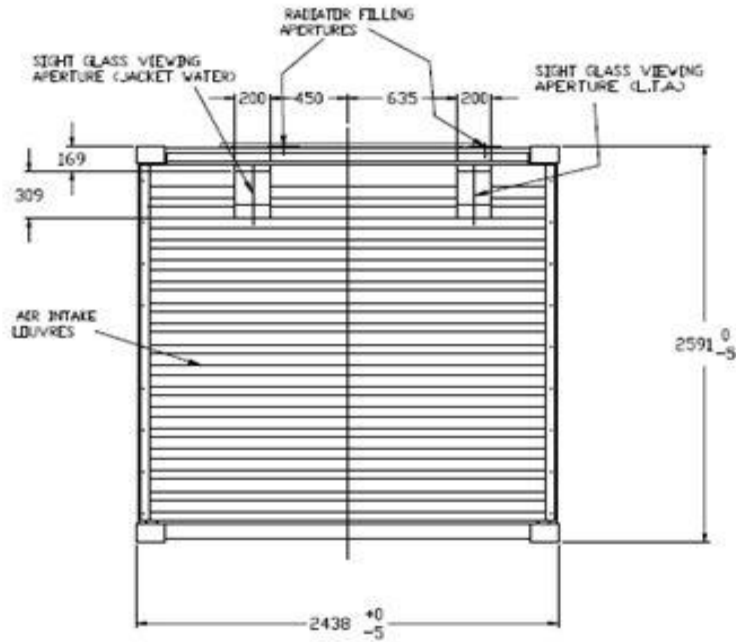
REV.	CON.	DESCRIPTION	DATE	SCALE	DRAWN BY	DATE	CHECKED BY	DATE	APPROVED BY	DATE
A		ISSUE								
					PROJECT DESCRIPTION	GSK45 G4 MAIN CIRCUIT DIAGRAM			DRG No. D080732	
									SHEET 1 OF 4	REV. A3



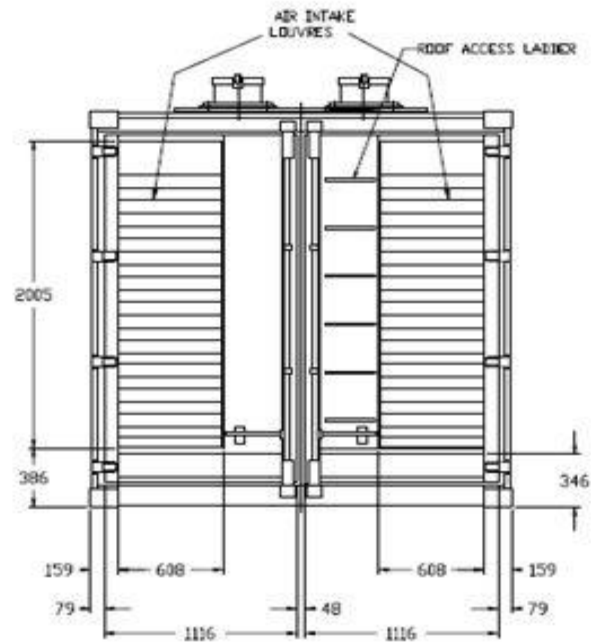
SIDE ELEVATION

FOR PLAN & ELEVATIONS, SEE SHEETS 1 & 3.

REVISIONS	A-	1 ST. DRAWE	REV	P/26	24/04/98	TITLE	INSTALLATION OUTLINE DRAWING	DRG.No.	A050109	SHEET	no.	2	NO. OF	SHEETS	3	REV.	B
						MHC26 / GSK 45 64 CONTAINER											
						DES	G. PIKE	DATE	13/04/00								



FRONT ELEVATION
(RADIATOR COOLING
AIR INTAKE)

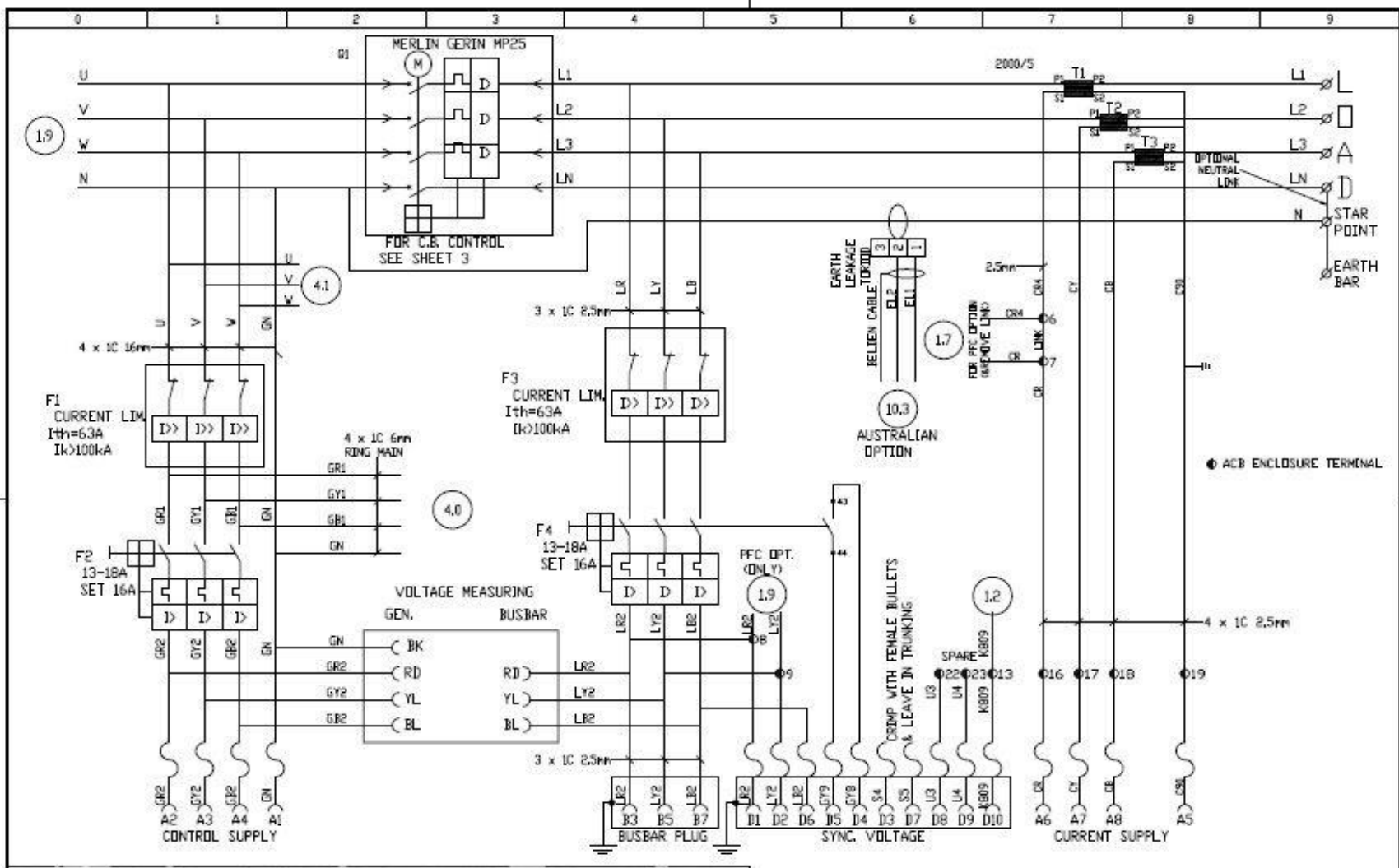


REAR END ELEVATION
(ENGINE SPACE COOLING
AIR INTAKE)

SEE SHEETS 1 & 2
FOR PLAN & SIDE
ELEVATION

REVISIONS

AP	1	15	DIANE	G. PIKE	13/04/00	DRN	DATE	TITLE	INSTANTION OUTLINE DRAWING NHC20 / QSK 45 G4 CONTAINER	DRG.No.	A050109	SHEET No.	3	No. OF SHEETS	3	REV.	A
DRN								DRN	G. PIKE	DATE	13/04/00						



REV.	ECN.	DESCRIPTION	CHECKED	SCALE	DRAWN BY	DATE	DESIGNED BY	DATE	APPROVED BY	DATE
A		1st ISSUE			GENEVEY					
				PROJECT / DR No. GSK45				DRG No. D080732		
				DESCRIPTION GEN- BUSBAR CONNECTIONS				SHEET 2 OF 11		REV. A3