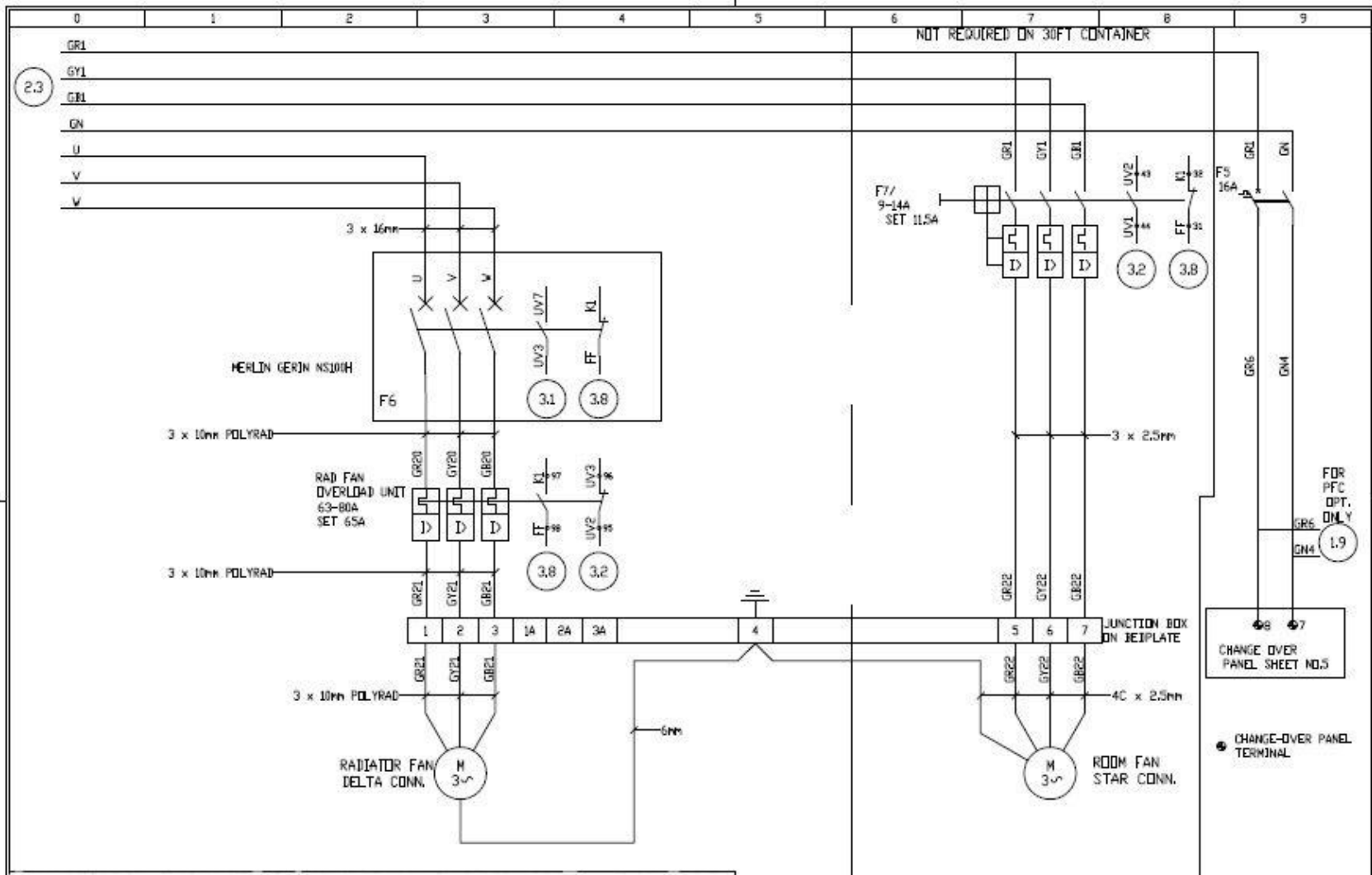


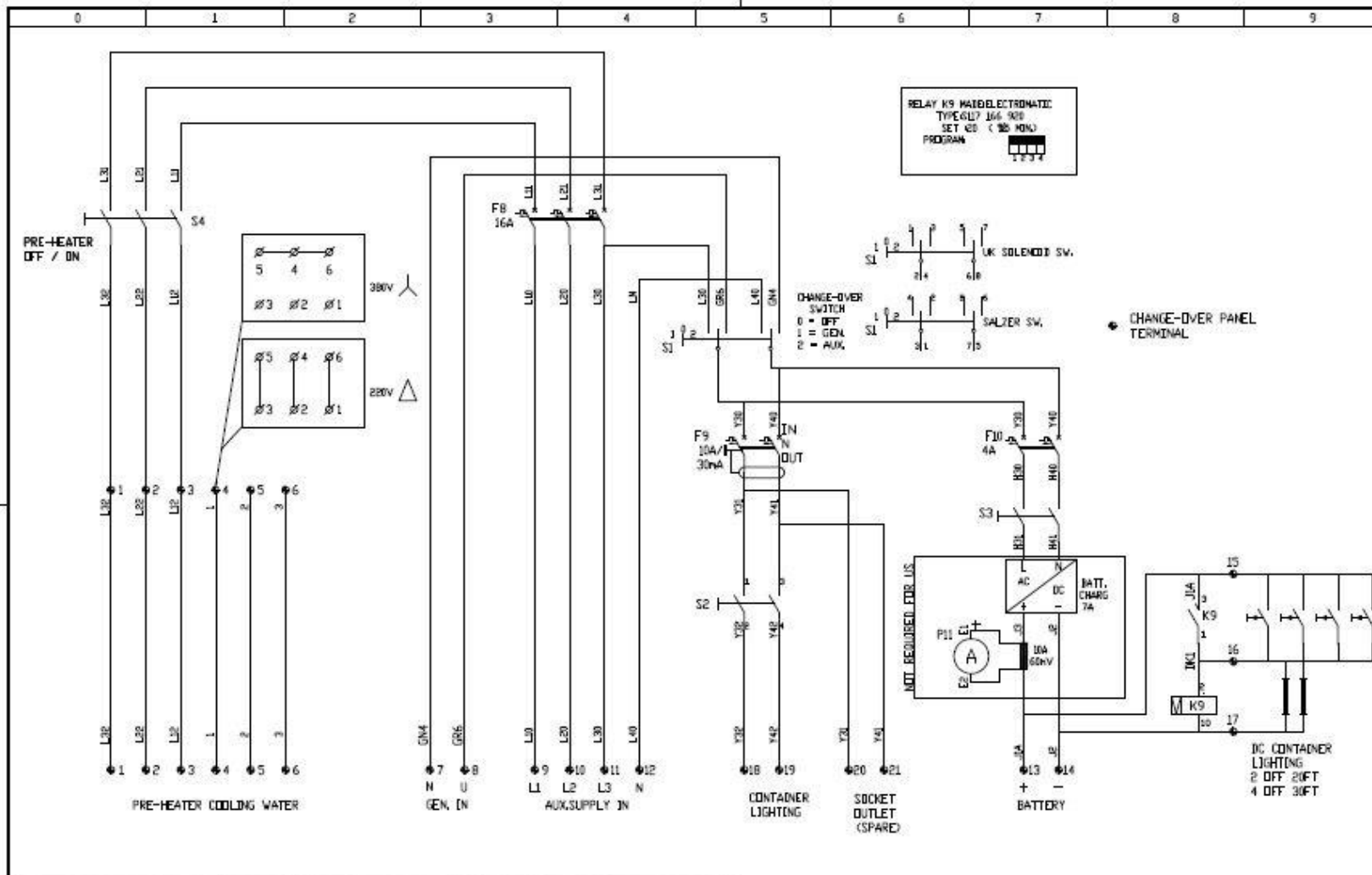
REV. EON.	DESCRIPTION	CHECKED
A	1st ISSUE	
B	RAD FAN & D/L AUX CONTACTS ADDED I.K. 04-07-00	
C	RAD FAN & F6 AUX CONTACT MOD. R.MCG. 01-12-00	

SCALE	DRAWN BY	DATE	CHECKED BY	DATE	APPROVED BY	DATE
PROJECT / DR No.	DESCRIPTION	04/25/00				
GSK45					DRG No. D080732	
CIRCUIT BREAKER CONTROL					SHEET 3 OF 11 REV. C A3	



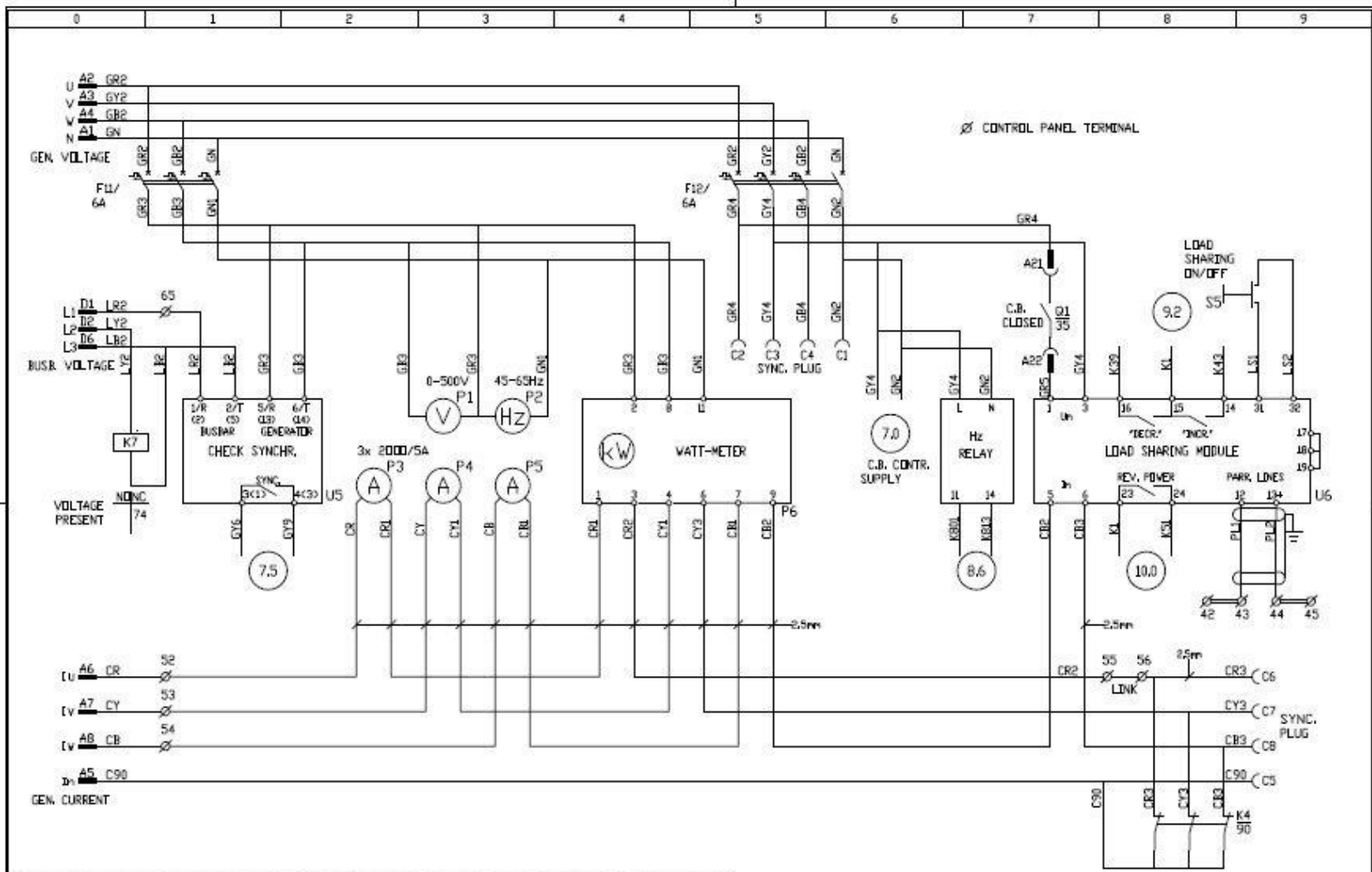
REV.	ECN.	DESCRIPTION	CHECKED
A		1st ISSUE	
B		RAD FAN MCCB AUX CONTACTS ADDED JK. 04.07.00	
C		RAD FAN & F6 AUX CONTACTS MOD. RMCS. 01-12-00.	

SCALE	DRAWN BY	DATE	CHECKED BY	DATE	APPROVED BY	DATE
	J. KENNEDY	02/05/00				
PROJECT / DR No.	DESCRIPTION		OSK45		DRG No. D080732	
	COOLING FANS SCHEMATIC				SHEET 4 OF 11 REV. C A3	



REV.	CHK.	DESCRIPTION	CHECKED	SCALE	DRAWN BY	DATE	CHECKED BY	DATE	APPROVED BY	DATE
A		1st ISSUE			I.K.					

PROJECT / DR. No.	DESCRIPTION	DRG. No.
	OSK45 CHANGE-OVER PANEL	D080732
		SHEET 5 OF 11
		REV. A A3



REV.	CON.	DESCRIPTION	CHECKED	SCALE	DRAWN BY	DATE	CHECKED BY	DATE	APPROVED BY	DATE
A		1st ISSUE			L.K.					
				PROJECT / JOB No.	DESCRIPTION	DRG No.	DATE	APPROVED BY	DATE	
					OSK45	1080732				
					SYNCHRONISING-MEASURING-LOAD CONTROL					
						SHEET 6 OF 11				
						REV. 4				A3