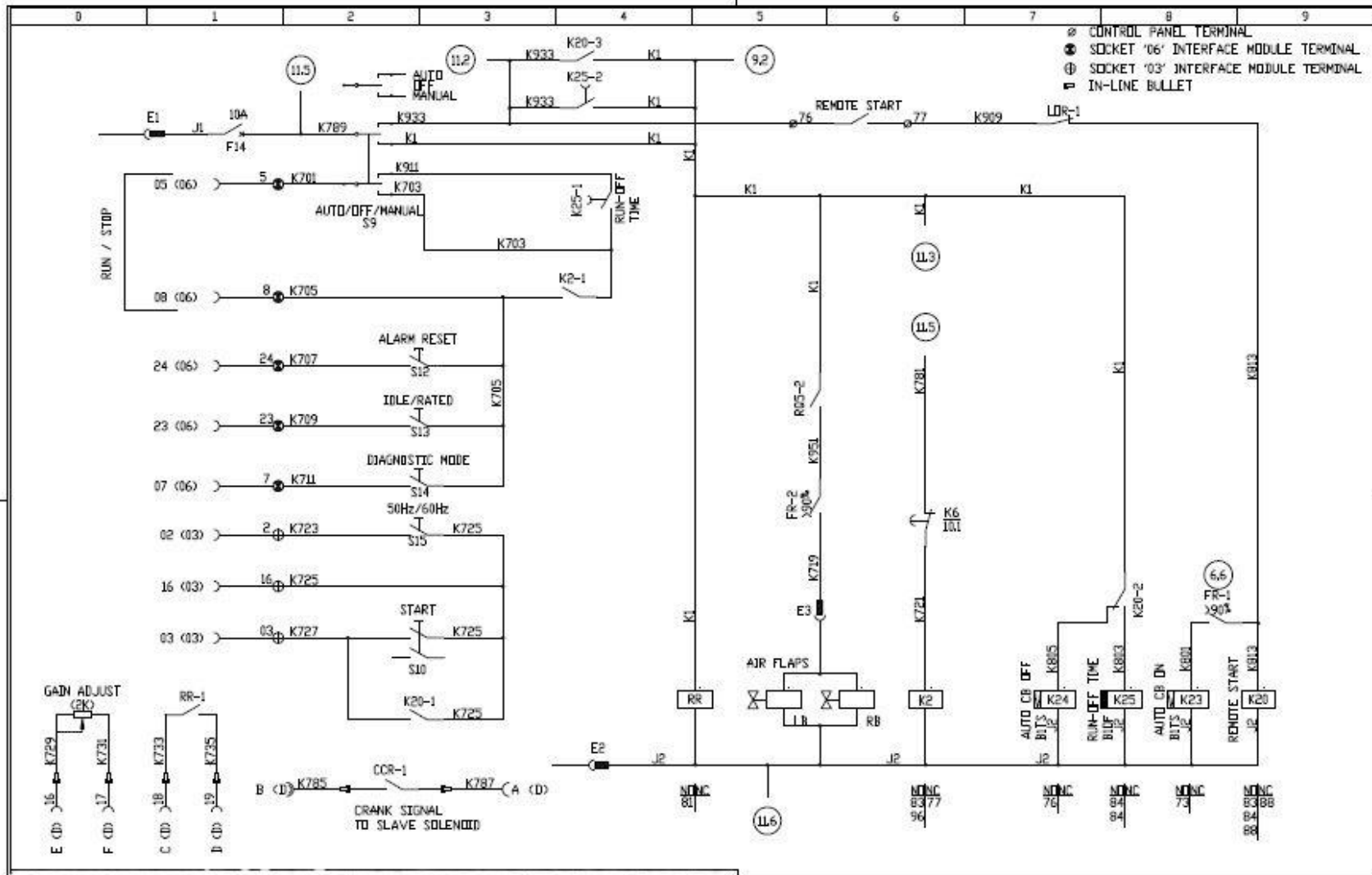
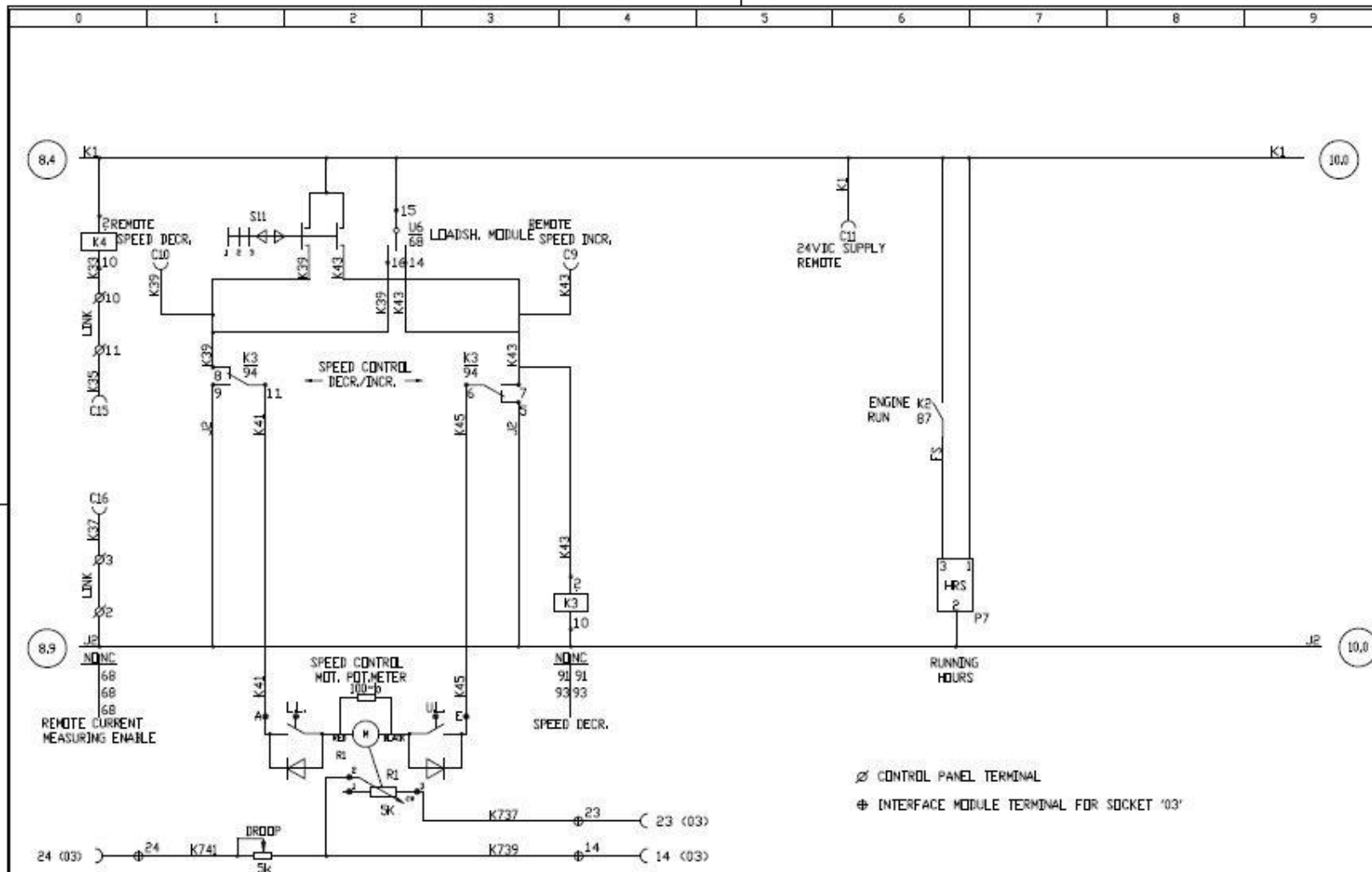


REV.	CON.	DESCRIPTION	CHECKED
A		1st ISSUE	

SCALE	DRAWN BY	DATE	CHECKED BY	DATE	APPROVED BY	DATE
	J. KENNEDY					
PROJECT / OF No.	DESCRIPTION	OSK45 C.B. CONTROL			DRG No.	D080732
					SHEET	7 OF 11
					REV.	A3

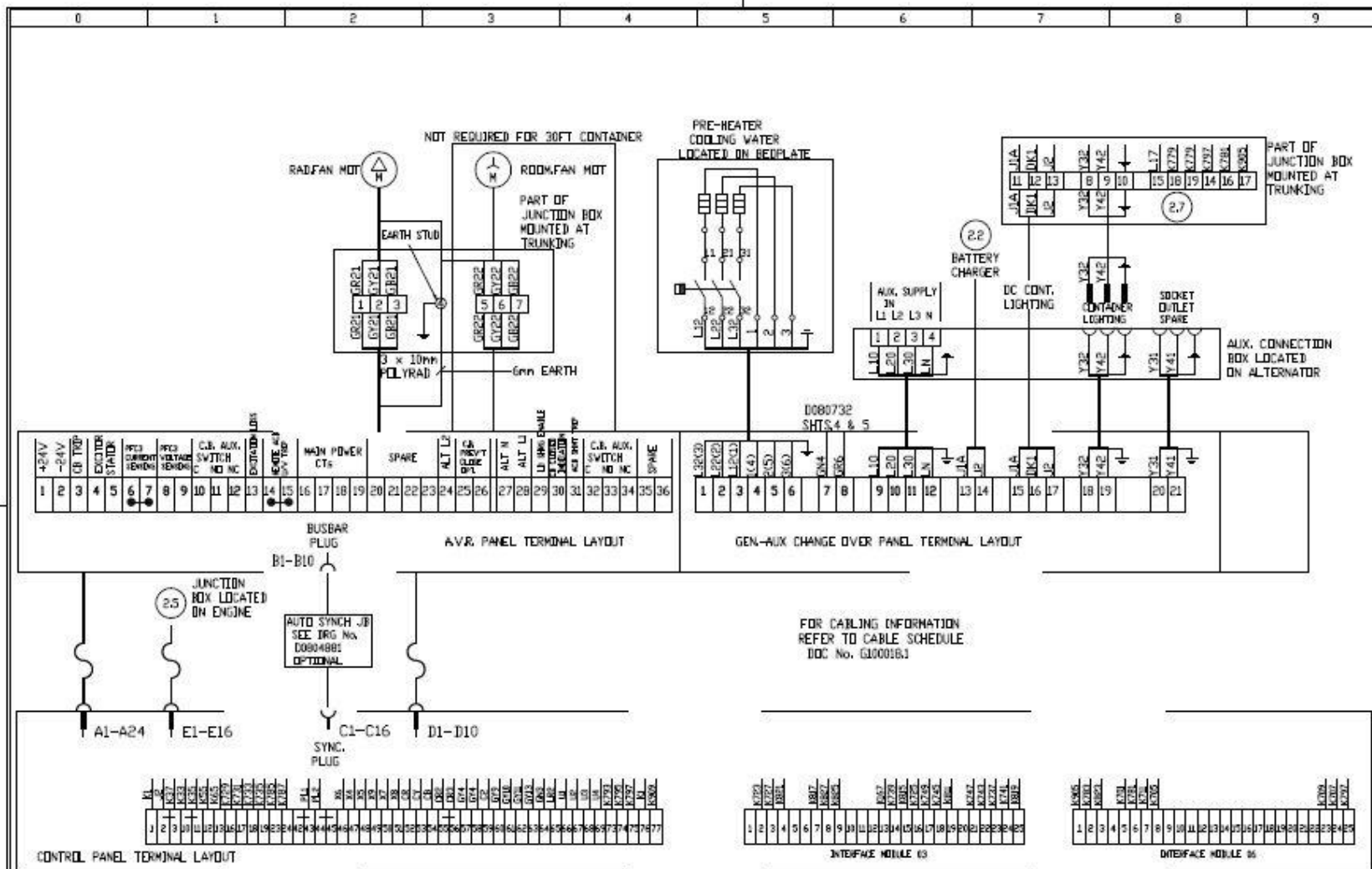


REV.	ECN	DESCRIPTION	CHECKED	SCALE	DRAWN BY	DATE	CHECKED BY	DATE	APPROVED BY	DATE
D		CONNECTOR 'D' BULLETS ADDED INQ 04J200			JENNEDY	11/05/00				
B		PERFORMING CHANGE FROM 4 TYPES TOTAL ALARM AND AUTO START CONTACT ADDED AT 12/20/00								
C		INTERFACE MODULE TERMINALS ADDED D. 05/03/00								
				PROJECT / JOB No.	DESCRIPTION				DRG No. 0086732	
				GSK45-G4 ECM / CONTROL PANEL INTERFACES				SHEET 8 OF 11		REV. b A3



REV. E.C.N.	DESCRIPTION	CHECKED
D	CONNECTIONS AT 3K CARD CHANGED L VARS 3, AND 7 VARS 1, 2, 3, 4, 5, 6, 7, 8, 9, 10, 11, 12, 13, 14, 15, 16, 17, 18, 19, 20, 21, 22, 23, 24, 25, 26, 27, 28, 29, 30, 31, 32, 33, 34, 35, 36, 37, 38, 39, 40, 41, 42, 43, 44, 45, 46, 47, 48, 49, 50, 51, 52, 53, 54, 55, 56, 57, 58, 59, 60, 61, 62, 63, 64, 65, 66, 67, 68, 69, 70, 71, 72, 73, 74, 75, 76, 77, 78, 79, 80, 81, 82, 83, 84, 85, 86, 87, 88, 89, 90, 91, 92, 93, 94, 95, 96, 97, 98, 99, 100	
B	INTERFACE MODULE TERMINATIONS ADDED JK. 05,01,00	
C	INTERFACE MODULE TERMINATION NUMBERS CHANGED D. 04,02,00	

SCALE	DRAWN BY	DATE	CHECKED BY	DATE	APPROVED BY	DATE
	JAEENEY	1926/80				
PROJECT /JOB No.	DESCRIPTION				DRG No. D080732	
	QSK45 G4 ENGINE CONTROL				SHEET 9 OF 11 REV. 1 A3	



REV.	ECN.	DESCRIPTION	REMOVED
A	1st	ISSUE	
B		MOD. FOR 2ND BATCH R.M.C.G. 06-10-2000	

SCALE	DRAWN BY	DATE	CHECKED BY	DATE	APPROVED BY	DATE
	J. KENNEDY	06-10-00				
PROJECT / JOB No.	DESCRIPTION			APPROVED BY		DATE
	OSK45 G4					
	TERMINAL LAYOUT DIAGRAM					
				DRG No. D140137		
				SHEET 1 OF 2		A3

BASED ON DRG No. D140021 REV A

