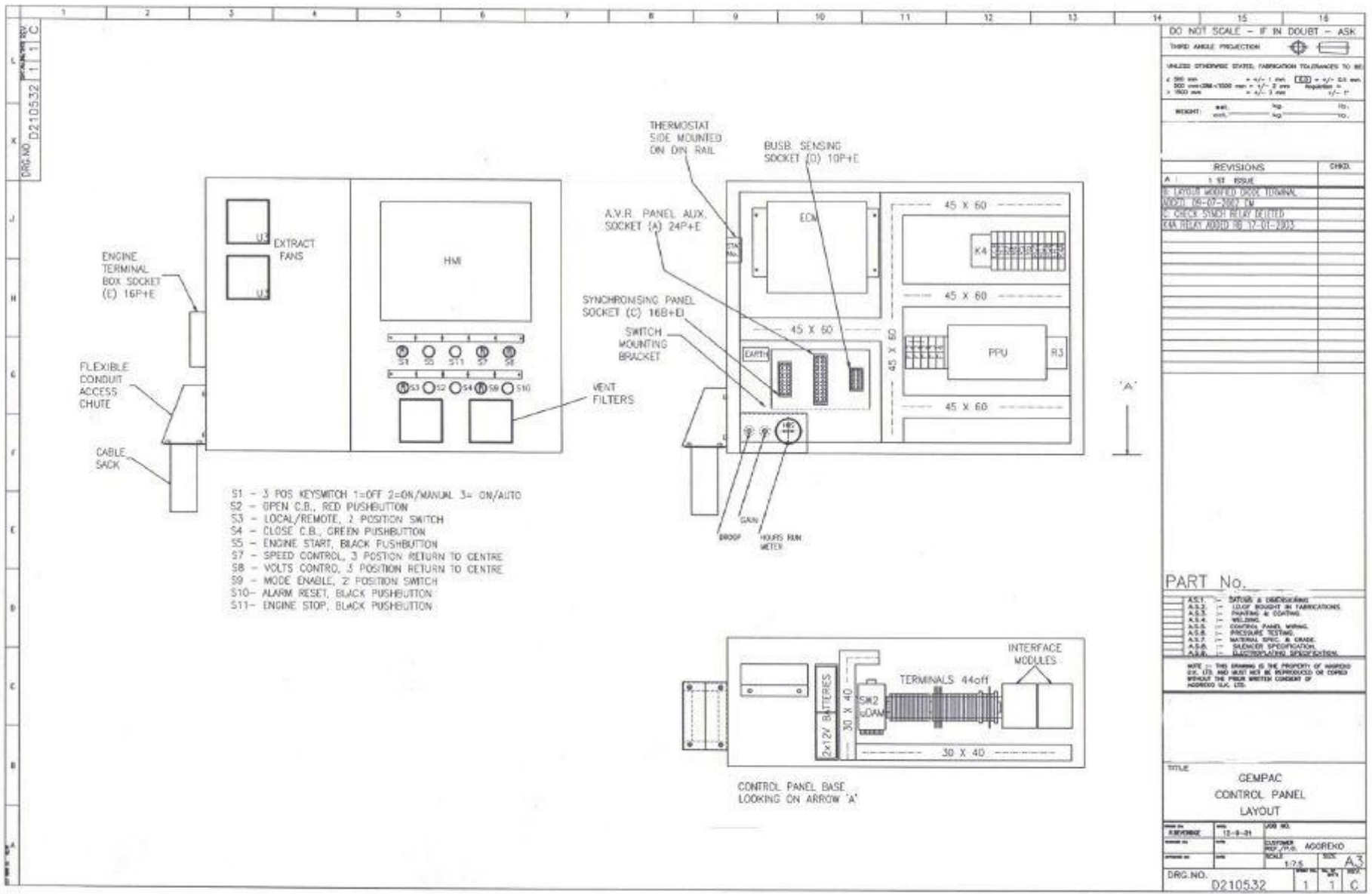


REV. ECDN	DESCRIPTION	CHECKED	SCALE	DRAWN BY	DATE	ORDERED BY	DATE	APPROVED BY	DATE
B	TERMINAL CHANGES, K905 TO K901, K2 TO K933 & TERMINALS ADDED A.K. 04/06/00			KENNEDY	11/05/00				
C	INTERFACE MODULE TERMINATIONS ADDED J2, 06/04/00		PROJ. / OF No.	DESCRIPTION	QSK45-G4 ENGINE SAFETIES			DRG No. D080732	
D	DIODE LOCATION CHANGED I.K. 04/12/00				WIRING DIAGRAM			SHEET 11 OF 11	REV. 0 A3



- S1 - 3 POS KEYSWITCH 1=OFF 2=ON/MANUAL 3= ON/AUTO
- S2 - OPEN C.B., RED PUSHBUTTON
- S3 - LOCAL/REMOTE, 2 POSITION SWITCH
- S4 - CLOSE C.B., GREEN PUSHBUTTON
- S5 - ENGINE START, BLACK PUSHBUTTON
- S7 - SPEED CONTROL, 3 POSITION RETURN TO CENTRE
- S8 - VOLTS CONTROL, 3 POSITION RETURN TO CENTRE
- S9 - MODE ENABLE, 2 POSITION SWITCH
- S10 - ALARM RESET, BLACK PUSHBUTTON
- S11 - ENGINE STOP, BLACK PUSHBUTTON

CONTROL PANEL BASE
LOOKING ON ARROW 'A'

COMPONENT MANUFACTURERS DATA

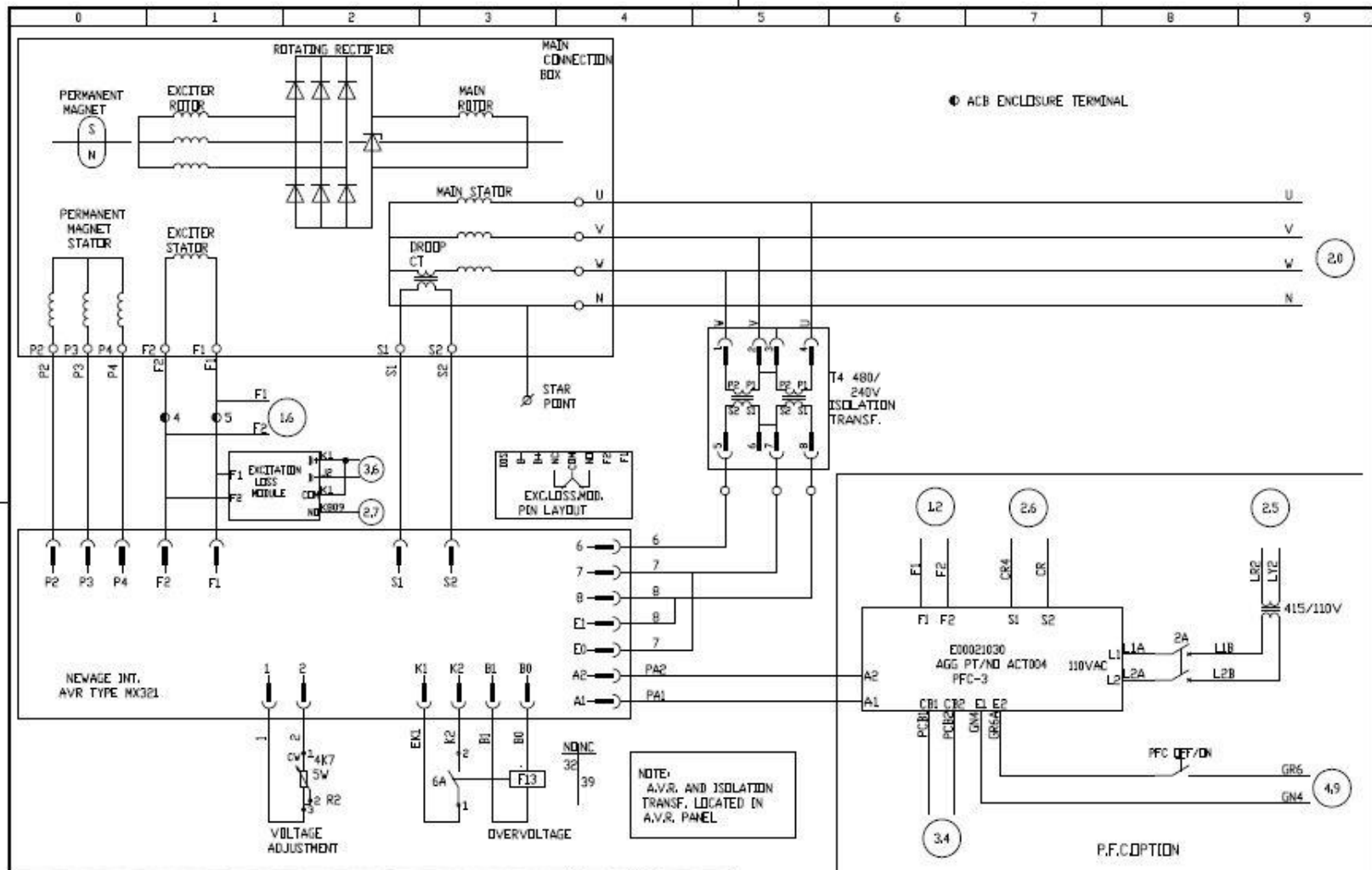
NHC20/QSK45G4
1250kVA Genset

Document No. M04.0059
Revision B
Date 02/07/02
Page 1 of 1

Description	Quantity Per Set	Supplier	Suppliers Part No.	Part No.
Radiator	1	Bearward	N/A	067059
Radiator fan	1	Woods of Colchester	60JEL WDFNV200LNFP	053184
Engine space fan	1	Woods of Colchester	F2229	053081
Coupling, 5.5RB, SAE21,	1	Reynold Hitec	3587825B	051512
Engine Control Module	1	Cummins	4016272 Dominion	N/A
Battery 180Ah, 12V	4	DB Wilson	324	339002
Charging belt	2	Cummins	3039376	N/A
Starter motor	1	Cummins	3332269	N/A
Battery charging alternator	1	Cummins	3332211	N/A
Alarm annunciator	1	Selco	M1000	283001
Circuit breaker MP25, Trip	1	Merlin Gerin	See Technical Description	293314
Current transformer	3	Celsa	IRP	273039
Excitation Loss Module	1	Newage	E000 22062	342031
Power Factor Controller	1	Newage	E000 22090	342030
Auto Synchroniser	1	Selco	T4500-04	281018
Load Sharing Module	1	Selco	T4800-30	281017
Air shut off valve, 5.5"OD	2	Amot	4261M05A472-AA	077022
Container Air Inlet Filter	8	Farr	049880-012	055607
Lube oil filter element	5	Cummins	3310169	N/A
Combustion air filter	2	Farr	ECOII 71338-003	N/A
Secondary fuel filter	2	Cummins	3313306	N/A
Water filter element	2	Cummins	3318319	N/A
Primary fuel filter element	4	Racor	1000FG 2020SM	N/A

For other service activities refer to the following suppliers documentation:

Engine:	Cummins 'Operation and Maintenance Manual'	Publication 3666260-01
	Cummins 'Parts Catalogue'	Publication
Alternator:	Newage 'Installation, Service and Maintenance Manual'	Publication 2H-056



REV.	EDN.	DESCRIPTION	CHECKED
A		1st ISSUE	

SCALE	DRAWN BY	DATE	CREATED BY	DATE	APPROVED BY	DATE
	WENNEDY	11/5/10				
PROJECT / JOB No.	DESCRIPTION				DRG No.	1000732
	GSK45 G4 MAIN CIRCUIT DIAGRAM				SHEET 1 OF	REV. A3