

FLUOR

Santos
GLNG Project

Contract: 00G2NG00

FLUOR DOC #
G2NG-4-0303-01-00039
Revision: **4**
TAG #

SANTOS DOC #
110290-30-9006
Revision: **1**

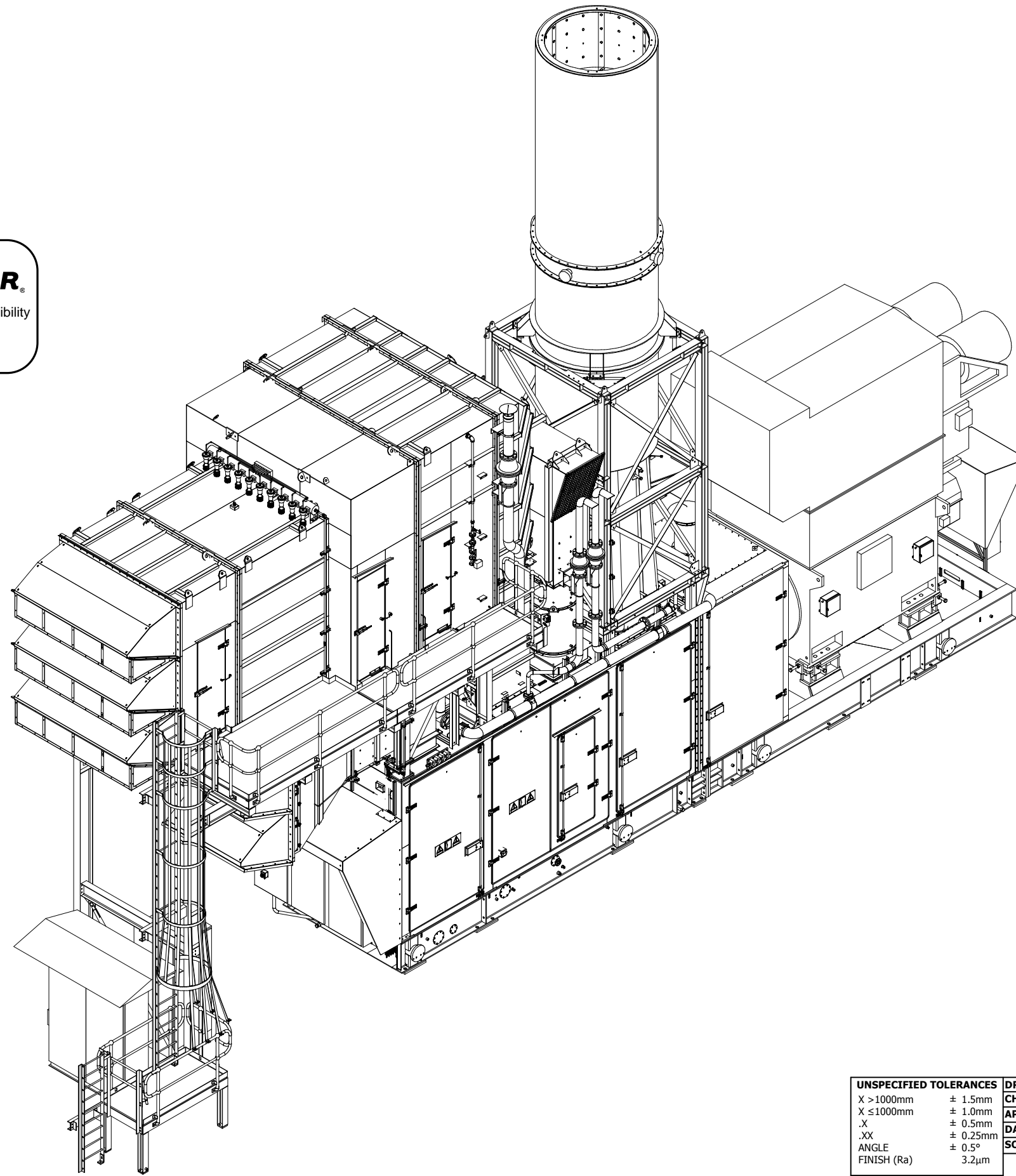
110290-GX-551; 110291-GX-551; 110292-GX-551; 110293-GX-551; 110294-GX-551; 110295-GX-551; 110296-GX-551; 110297-GX-551; 110298-GX-551

A – PROCEED

FLUOR

Authorization to proceed does not relieve Contractor/Supplier of its responsibility or liability under the Contract and or Purchase Order.

By Boubakary Ousmanou at 9:00 am, 02 Jan 2013

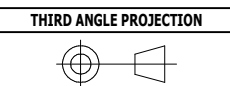


PROJECT NAME:	GLNG UPSTREAM PACKAGE				
PO NUMBER:	GLNG-4-0303-01				
EQUIPMENT TAGS:	110290-GX-551 110291-GX-551 110292-GX-551 110293-GX-551 110294-GX-551 110295-GX-551 110296-GX-551 110297-GX-551 110298-GX-551				
EQUIPMENT SERVICE:	GAS TURBINE ALTERNATOR PACKAGE				
C	V.MAGALLANES	D. MERTZ	M.SHIPLEY	9/13/2012	7786
REV	DRAWN	CHECKED	APPROVED	DATE	ECN NO.

UNSPECIFIED TOLERANCES	
X > 1000mm	± 1.5mm
X ≤ 1000mm	± 1.0mm
.X	± 0.5mm
.XX	± 0.25mm
ANGLE	± 0.5°
FINISH (Ra)	3.2µm

DRAWN	E.BARNETT
CHECKED	HANHO
APPROVED	M.SHIPLEY
DATE	8/25/2011
SOURCE DOC.	NONE

UNLESS OTHERWISE SPECIFIED:
DO NOT SCALE DRAWING
DIMENSIONS ARE IN MILLIMETERS
DIMENSIONS IN [] ARE INCHES
BREAK ALL SHARP CORNERS
REMOVE ALL BURRS

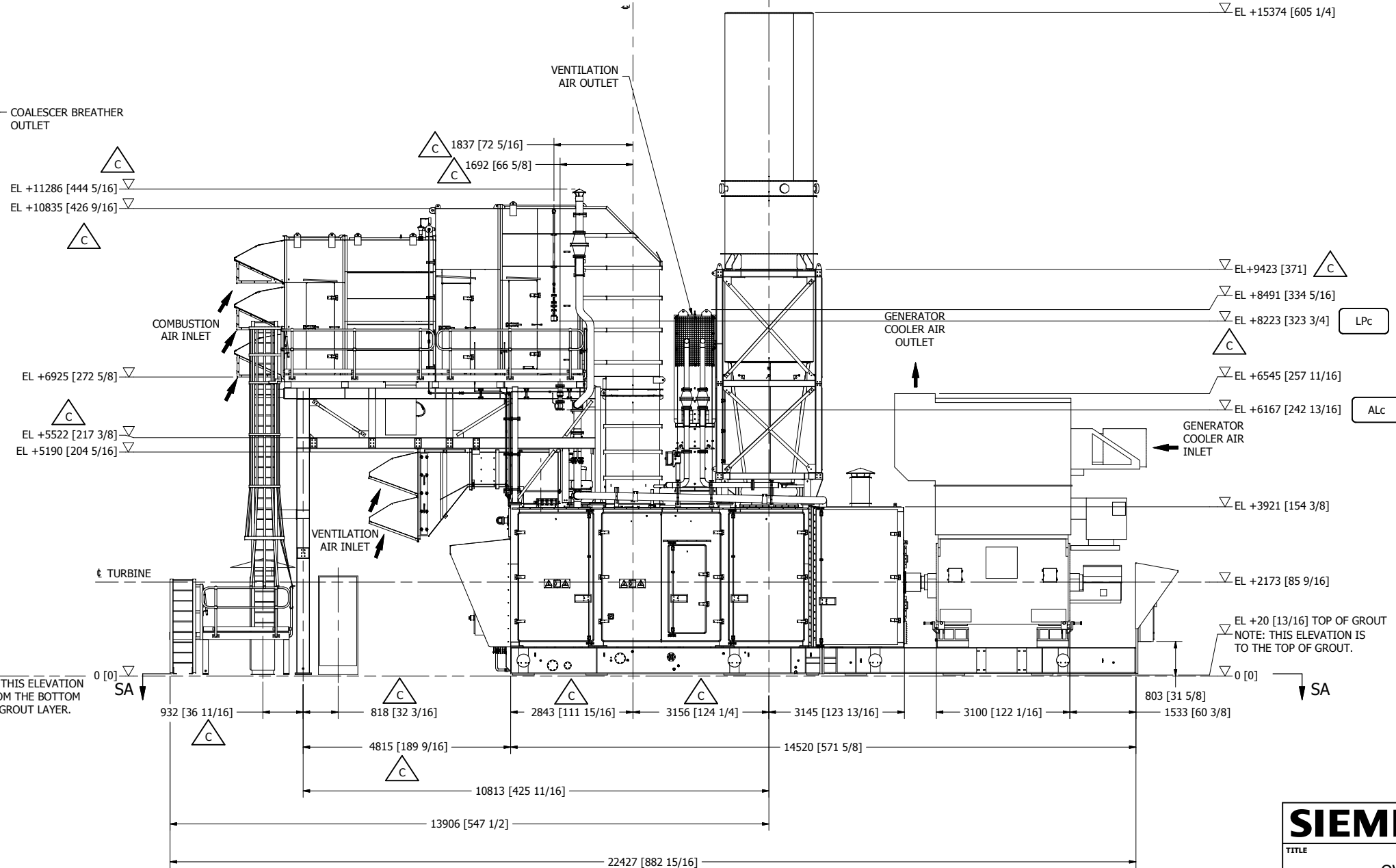
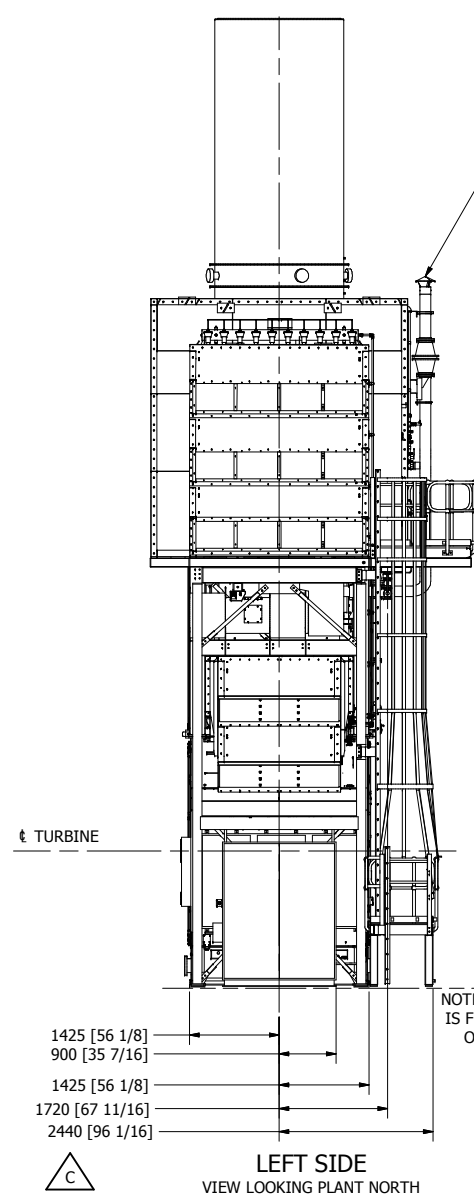
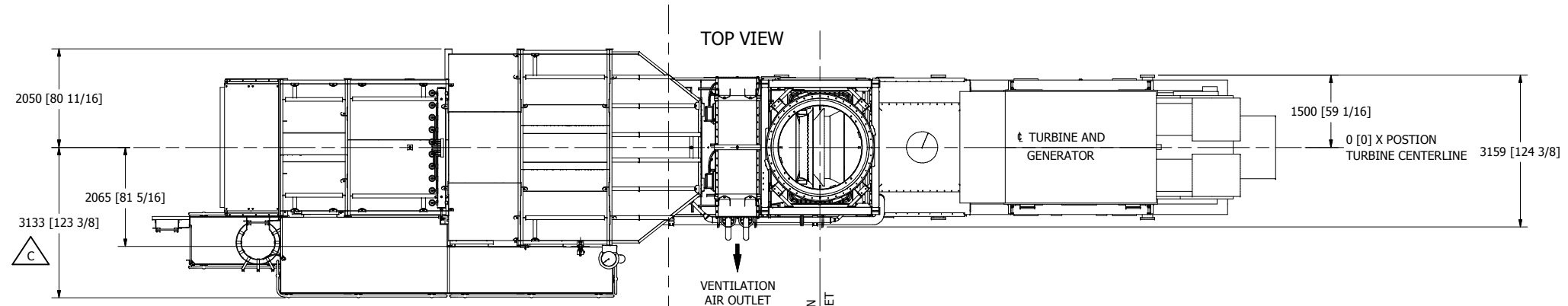


SIEMENS
10730 Telge Road
Houston, TX 77095, USA
(281) 856-4400

TITLE
**OVERALL PACKAGE
SITE LAYOUT**

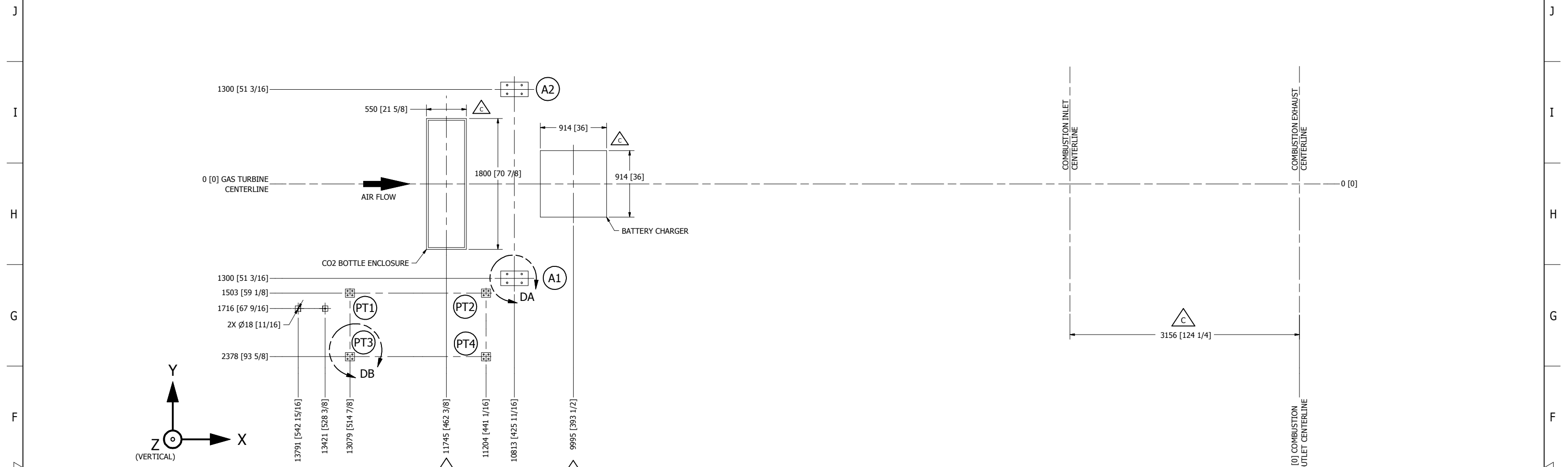
SIZE	FILE TYPE	DWG NO.	REV
D	INVENTOR	4067XX-B02-001	C
SCALE	NONE	EST. WT. N/A	SHEET 1 OF 3

16 15 14 13 12 11 10 9 8 7 6 5 4 3 2 1



SIEMENS		10730 Telge Road Houston, TX 77095, USA (281) 856-4400	
TITLE OVERALL PACKAGE SITE LAYOUT			
SIZE D	FILE TYPE INVENTOR	DWG NO. 4067XX-B02-001	REV C
SCALE NONE	EST. WT. N/A	SHEET 2 OF 3	

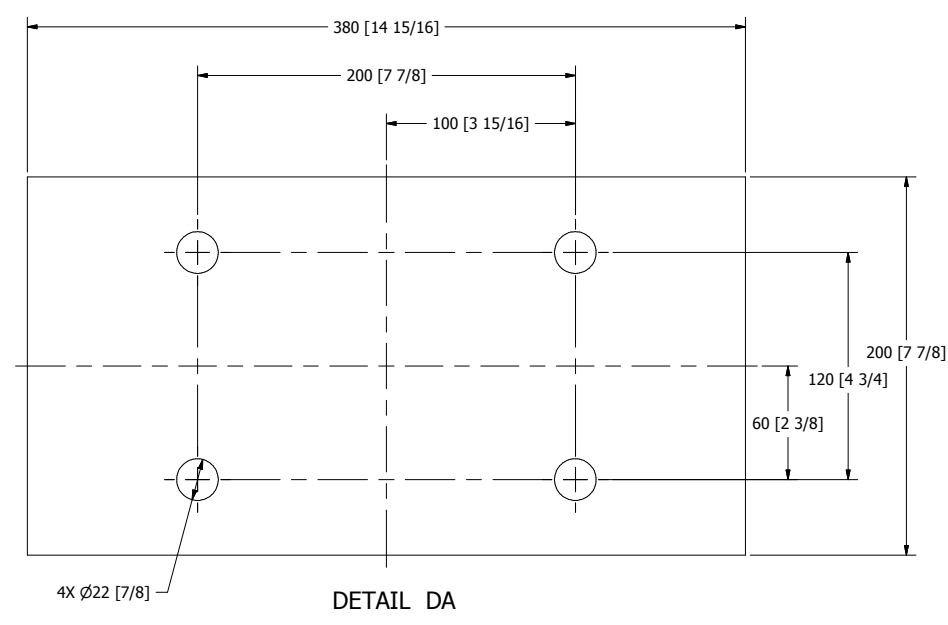
16 15 14 13 12 11 10 9 8 7 6 5 4 3 2 1



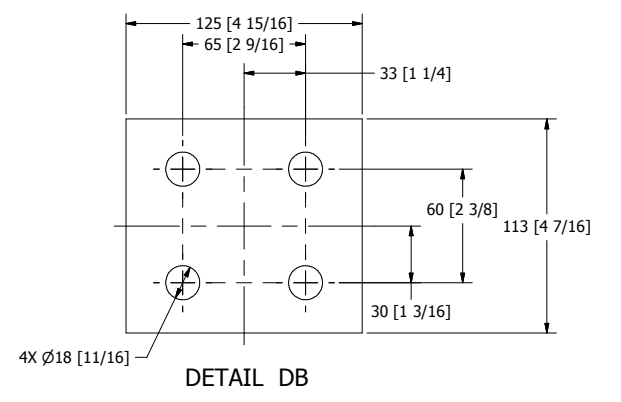
SECTION SA-SA

GENERAL LOAD NOTE:
 1 - Z IS VERTICAL DOWN
 2 ALL LOADS ARE IN kN
 3 WIND PRESSURE 1.24 kN/m²
 4 SEISMIC LOAD HORIZONTAL 0.056g
 5 INTERNAL ACCESS 2.5 kN/m² &
 EXTERNAL ACCESS 5 kN/m²
 6 SUCTION LOAD 4 kN/m²

SITE FOUNDATION PLAN AND LOADS FOR POWER GEN UNITS												
LOAD CASE		AIR INTAKE		LOAD CASE		ACCESS PLATFORM						
FOUNDATION NUMBER		A1	A2	FOUNDATION NUMBER	PT1	PT2	PT3	PT4				
DEAD LOAD	Z	-33.48	-33.14	DEAD LOAD	Z	-0.71	-0.71	-0.71	-0.71			
SUCTION LOAD	Z			SUCTION LOAD	Z							
ACCESS LOAD	Z	-21.45	-6.28	ACCESS LOAD	Z	-2.50	-2.50	-2.50	-2.50			
SEISMIC LOAD	+/-	X	0.12	0.12	SEISMIC LOAD	+/-	X	0.04	0.04	0.04	0.04	
		Y					Y					
		Z	2.03	2.03			Z	-0.03	-0.03	0.03	-0.03	
	+/-	X				+/-	X					
		Y	1.28	1.28			Y	0.04	0.04	0.04	0.04	
		Z	-7.87	7.88			Z	0.06	0.06	-0.06	-0.06	
WIND LOAD	+/-	X	0.8	0.8	WIND LOAD	+/-	X					
		Y					Y					
		Z	5.01	5.01			Z					
	+/-	X				+/-	X					
		Y	9.79	9.80			Y					
		Z	-49.59	49.59			Z					



DETAIL DA



DETAIL DB

SIEMENS 10730 Telge Road
Houston, TX 77095, USA
(281) 856-4400

TITLE
**OVERALL PACKAGE
SITE LAYOUT**

SIZE D	FILE TYPE INVENTOR	DWG NO. 4067XX-B02-001	REV C
SCALE NONE	EST. WT. N/A	SHEET 3 OF 3	